

## Conductive Containers



**USA HEADQUARTERS**  
**Schaefer Systems International, Inc.**

Shipping Address  
10021 Westlake Drive  
Charlotte, NC 28273

Mailing Address  
P.O. Box 7009  
Charlotte, NC 28241

Tel: 704-944-4500  
Fax: 704-588-1862

**PACKAGING SYSTEMS DIVISION**  
**USA, CANADA, MEXICO**

1795 Alysheba Way  
Suite 6104  
Lexington, KY 40509

Tel: 859-294-5615  
Fax: 859-294-5616  
Toll Free: 888-SSI-TOTE  
Email: [packaginghelp@ssitote.net](mailto:packaginghelp@ssitote.net)

Customer Service  
Tel: 704-944-4583  
Fax: 704-944-4582

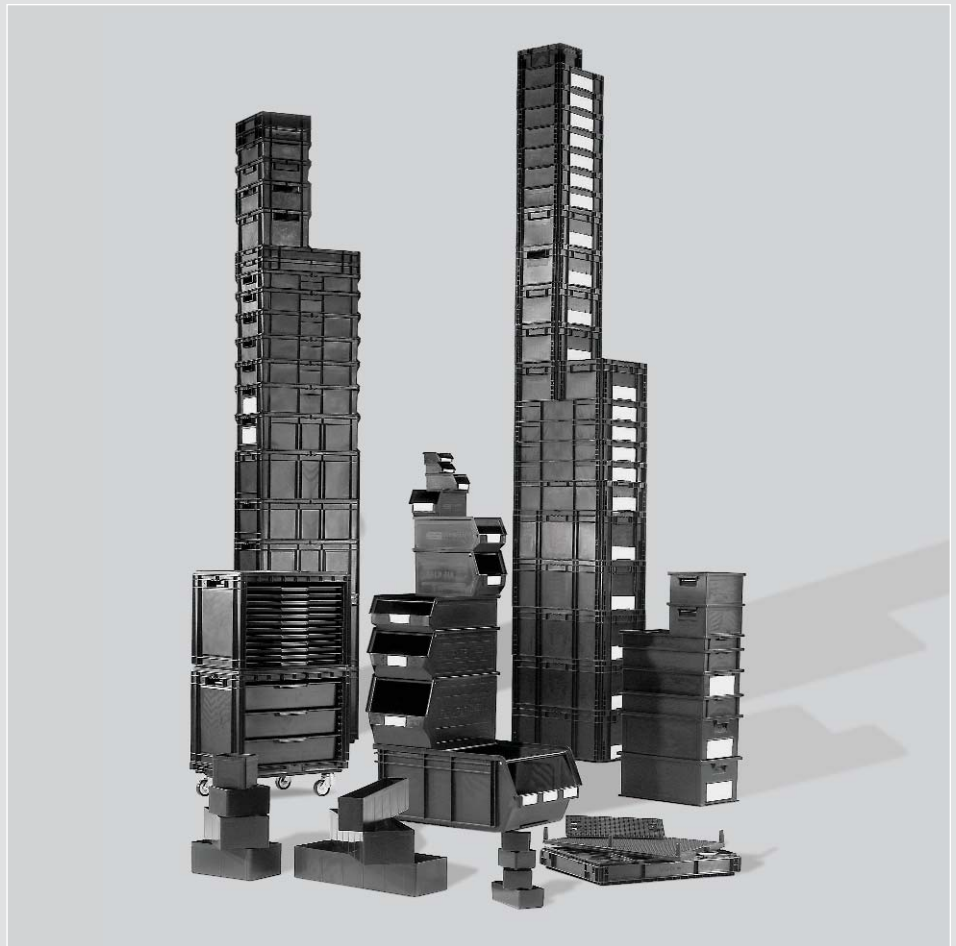
Email: [general@ssimail.net](mailto:general@ssimail.net)  
[www.ssi-schaefer.us](http://www.ssi-schaefer.us)

## Conductive Containers

These containers are molded with a conductive carbon-filled polypropylene material which protects sensitive electronic components from electrostatic fields or induced fields. Conductive materials provide a barrier which these fields cannot penetrate. Container styles molded in conductive material include the Euro-Fix line. When these containers are used with conductive lids, you achieve the highest level of protection. Containers are permanently conductive and unaffected by washing with normal cleansers.

### Technical Specifications

Electrical Properties	Conductive Containers
Normal polypropylene	
Specific Volume Resistance $10^{28}$ Ohm inch	Approximately 50 Ohm inch
Specific surface Resistance $10^{14}$ Ohm inch	Approximately $10^3$ Ohm inch



#### Conductive Euro-Fix Containers

- Material has been added for extra strength
- Spacing, number and thickness of ribs add even more strength and years of life to the container
- Designed for high cube utilization
- Interstack on a pallet
- Optional stacking collar adds 3" to 24" x 16" containers
- Closed handholds



#### Conductive 14/7 Hopper Front Containers

- Accessible when stacked
- Label holders



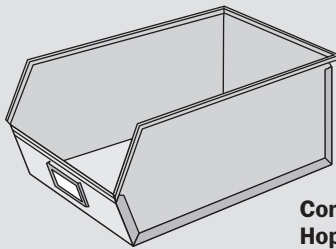
#### Conductive 14/6 Stackable Transport Containers

- Lightweight and durable
- Interstackable with the 14/7 container series

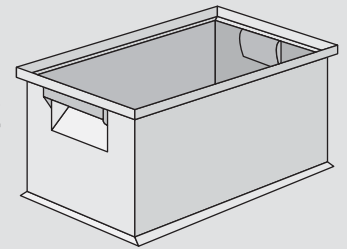
**Conductive Euro-Fix Containers** (measurements in inches, unless specified)

Order #	Outside Dimensions			Inside Dimensions			Capacity Cubic Ft	Tare Weight lbs.	Recommended Load lbs.	Maximum Stack Load lbs.
	L	W	H	L*	W*	H				
EF 4120 PP3	15.8	11.9	4.8	13.9	10.0	4.1	0.38	2.0	55	1320
EF 4140 PP3	15.8	11.9	5.6	13.8	9.9	4.5	0.45	2.0	55	1320
EF 4170 PP3	15.8	11.9	6.7	13.8	9.9	5.7	0.55	2.6	55	1320
EF 4220 PP3	15.8	11.9	8.7	13.8	9.9	7.7	0.71	3.2	55	1320
EF 6070 PP3	23.7	15.8	3.0	21.8	13.9	2.3	0.50	3.0	55	1320
EF 6120 PP3	23.7	15.8	4.8	21.7	13.8	3.7	0.82	3.8	55	1320
EF 6140 PP3	23.7	15.8	5.6	21.7	13.8	4.5	0.97	4.0	55	1320
EF 6150 PP3	23.7	15.8	6.0	21.7	13.8	5.0	1.04	4.3	55	1320
EF 6180 PP3	23.7	15.8	7.1	21.7	13.8	6.1	1.25	4.8	55	1320
EF 6220 PP3	23.7	15.8	8.7	21.6	13.8	7.7	1.54	6.1	55	1320
EF 6240 PP3	23.7	15.8	9.5	21.7	13.8	8.5	1.68	5.7	55	1320
EF 6280 PP3	23.7	15.8	11.3	21.6	13.8	10.2	2.00	6.7	55	1320
EF 6320 PP3	23.7	15.8	12.6	21.7	13.8	11.6	2.25	7.6	55	1320
EF 6420 PP3	23.7	15.8	16.6	21.6	13.8	15.5	2.96	9.9	55	1320

\* Bottom



**Conductive 14/7  
Hopper Front Container**



**Conductive 14/6  
Stackable Transport Container**

**Conductive 14/7 Hopper Front Containers** (measurements in inches, unless specified)

Order #	Outside Dimensions			Inside Dimensions			Capacity Cubic Ft	Tare Weight lbs.	Recommended Load lbs.
	L	W	H	L	W	H			
147.201206 N PP3	20.1	12.5	5.8	19.7	11.9	5.1	0.57	2.5	22
147.201208 N PP3	20.1	12.5	7.9	19.7	11.9	7.2	0.81	3.5	22
147.201212 N PP3	20.9	12.5	11.8	20.5	11.9	11.1	1.31	4.6	22
147.140808 N PP3	13.8	7.9	7.9	13.8	7.9	7.2	0.35	1.9	22
147.140806 N PP3	13.8	7.9	5.8	13.8	7.9	5.2	0.25	1.4	22
147.090605 L PP3	9.3	5.8	4.8	9.1	5.6	4.2	0.09	0.6	11
147.060403 L PP3	6.5	4.2	3.0	6.3	3.8	2.4	0.03	0.2	11
147.030402 LM PP3	3.8	4.0	2.0	3.4	3.8	1.4	0.01	0.1	11
147.03402 L PP3	3.8	4.0	2.0	3.4	3.8	1.4	0.01	0.1	11

**Conductive 14/6 Stackable Transport Containers** (measurements in inches, unless specified)

Order #	Outside Dimensions			Inside Dimensions			Capacity Cubic Ft	Tare Weight lbs.	Recommended Load lbs.	Maximum Stack Load lbs.
	L	W	H	L	W	H				
1462.191302 PP3	18.4	12.5	2.9	17.8	11.9	2.2	0.25	1.8	22	440
1462.191304 PP3	18.4	12.5	4.2	17.8	11.9	3.5	0.36	2.3	22	440
1462.191305 PP3	18.4	12.5	4.6	17.8	11.9	4.0	0.42	2.4	22	440
1462.191308 PP3	18.4	12.5	7.9	17.8	11.9	7.2	0.74	3.2	22	440
1462.191312 PP3	18.4	12.5	11.9	17.8	11.9	11.1	1.17	4.5	22	440
1463.130906 PP3	12.3	8.3	5.8	11.9	7.9	5.1	0.25	1.4	22	220

# Conductive Containers

## Conductive Sub-Container

- Made of conductive polypropylene
- Organize small components
- Available in a variety of compatible sizes
- Equipped with lip for easy removal
- EK 050304 through EK 220604 are compatible with the following Euro-Fix containers: EF 6180, EF 6150, and EF 6140

## Conductive Sub-Containers

(measurements in inches)

Order #	Outside Dimensions		
	L	W	H
EK 070302 PP3	7.1	3.8	2.4
EK 050304 PP3	5.4	3.5	4.4
EK 050303 PP3	5.4	3.5	3.8
EK 060505 PP3	6.9	5.4	4.4
EK 060503 PP3	6.9	5.4	3.8
EK 110604 PP3	10.8	6.9	4.4
EK 110603 PP3	10.8	6.9	3.8
EK 220304 PP3	21.7	3.5	4.4
EK 220303 PP3	21.7	3.5	3.8
EK 220604 PP3	21.7	6.9	4.4
EK 220603 PP3	21.7	6.9	3.8
EK 030402 PP3	3.6	3.8	2.4
EK 030202 PP3	3.6	1.9	2.4

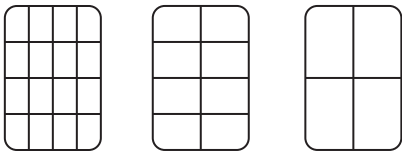
Note: All specifications are nominal



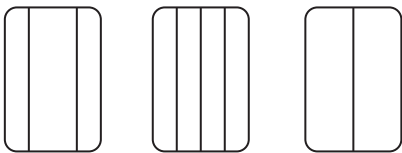
1 EK 050304    2 EK 220303    3 EK 070302    4 EK 030202    5 EK 030402

## Arrangements of Sub-Containers for 24" x 16" Euro-Fix

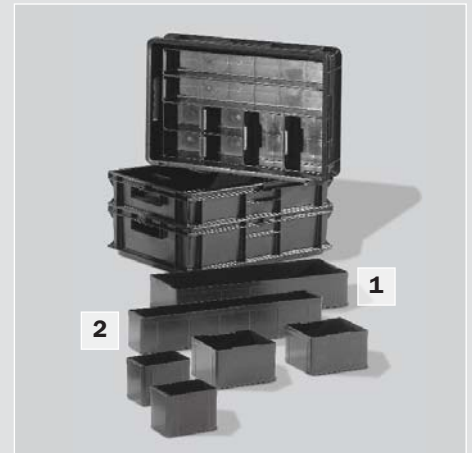
16x EK 050304    8x EK 060505    4x EK 110604



1x EK 220604    4x EK 220304    2x EK 220604  
2x EK 220304



1 EK 220604    3 EK 110604    5 EK 050304  
2 EK 220304    4 EK 060505

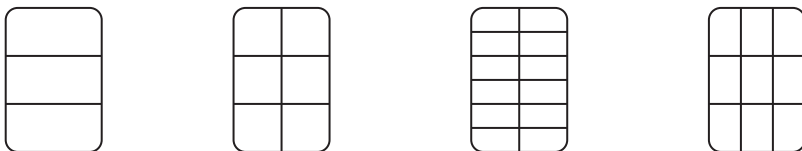


1 EK 220603    2 EK 220303

## Arrangements of Sub-Containers for 14/6 & 14/7 Containers

3x EK 070302  
Fits 1463.130906 PP3

6x EK 030402  
Fits 1463.130906 PP3





1 LP 2                      2 Printofix Tray



1 LPL 1                  2 LPL 2                  3 LPW 1



**Conductive Container Accessories**  
**Conductive Pyramid Trays**

- For storing and transporting PCBs and semi-conductors
- Made from conductive black polypropylene
- Surface provides protection to the underside of the circuit board
- Trays fit all 24" x 16" Euro-Fix containers

**Conductive Printo-Fix Trays**

- Can be customized to fit specific applications
- Stack when full and nest when empty
- Conductive polystyrene trays for 16" x 12" containers are available

**Special Inserts**

- Interlocking dividers provide an economical method of creating cells
- Smallest possible cell is 0.75" x 0.75"
- Cell size can increase in increments of 0.75"

**Special Stackable Inserts**

- Made of conductive polystyrene
- Grooves are provided for vertical storage of PCBs
- Ideal for component assembly stations
- Can be used alone
- Inserts are compatible with 16" x 12" Euro-Fix containers

**Conductive Container Accessories** (measurements in inches)

Order #	Description	Dimensions		
		L	W	H
<b>LP 2CB PP3</b>	PCB Holder	14.0	9.75	0.5
<b>LPL 1 PP3</b>	Tilt PCB Holder	10.9	8.2	3.7
<b>LPL 2 PP3</b>	Tilt PCB Holder	14.0	10.5	5.2
<b>LPW 1 WH1</b>	Tilt PCB Holder	10.9	8.2	3.7
<b>LPW 2 WH1</b>	Tilt PCB Holder	14.0	10.5	5.2
<b>QTK308PL PP3</b>	Divider Set	10.0	3.2	—
<b>QTK314PL PP3</b>	Divider Set	10.0	5.6	—
<b>LTK608PL PP3</b>	Divider Set	21.8	3.2	—
<b>LTK614PL PP3</b>	Divider Set	21.8	5.6	—
<b>LQTK408PL PP3</b>	Divider Set	13.9	3.2	—
<b>LQTK414PL PP3</b>	Divider Set	13.9	5.6	—
<b>EFTFPT PP3</b>	Pyramid Tray	21.3	13.5	2.5
<b>EFR 6070 PP3</b>	Stacking Collar	24.0	16.0	3.0



**Conductive Lids**

**Conductive Lids** (measurements in inches)

Order #	Fits Containers	
	L	W
<b>EF D 43 PP3</b>	16	12
<b>EF D 64 PP3</b>	24	16