

## Custom Steel Racks



**USA HEADQUARTERS**  
**Schaefer Systems International, Inc.**

Shipping Address  
10021 Westlake Drive  
Charlotte, NC 28273

Mailing Address  
P.O. Box 7009  
Charlotte, NC 28241

Tel: 704-944-4500  
Fax: 704-588-1862

**PACKAGING SYSTEMS DIVISION**  
**USA, CANADA, MEXICO**

1795 Alysheba Way  
Suite 6104  
Lexington, KY 40509

Tel: 859-294-5615  
Fax: 859-294-5616  
Toll Free: 888-SSI-TOTE  
Email: [packaginghelp@ssitote.net](mailto:packaginghelp@ssitote.net)

Customer Service  
Tel: 704-944-4583  
Fax: 704-944-4582

Email: [general@ssimail.net](mailto:general@ssimail.net)  
[www.ssi-schaefer.us](http://www.ssi-schaefer.us)

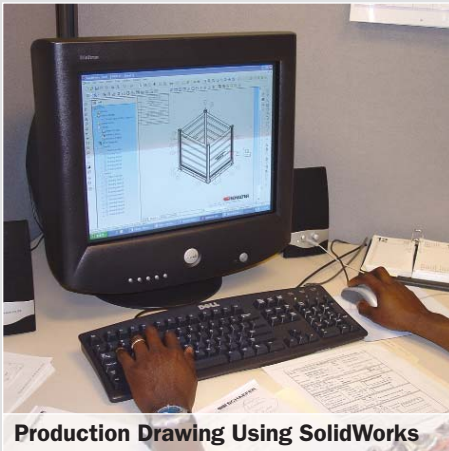


## Custom Steel Racks

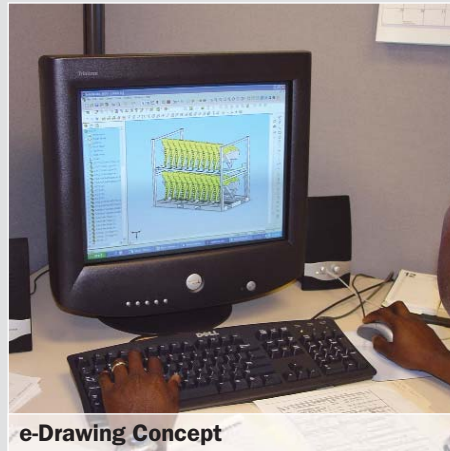
SSI Schaefer offers extensive design capabilities utilizing SolidWorks. COSMOS is utilized to verify engineering analysis, beginning with structural integrity through material thickness.

Whether it is mathematical data or sample parts, SSI Schaefer can provide you with a concept (e-Drawing Format), a prototype and finally production racks.

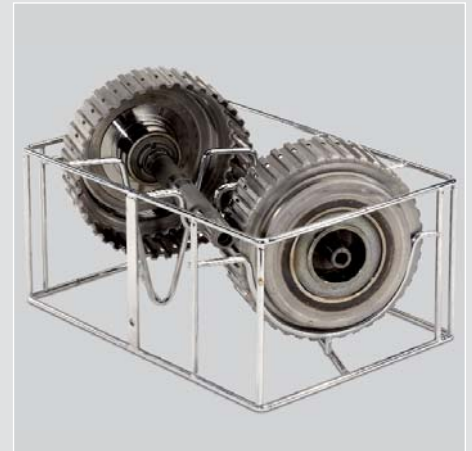
Before production of a prototype begins, the concept is revised until it completely meets our customer's requirements. You save time and money by avoiding multiple prototype revisions.



Production Drawing Using SolidWorks



e-Drawing Concept





**Glass Rack**

- 64" x 48" x 50" steel frame, multiple layers
- Individual shelves raise and lower utilizing torsion springs (Automotive Back Glass)



- SSI Schaefer closely monitors all projects from the initial concept through production build.
- We perform "First Article Inspections" on all production builds and additional quality inspections throughout the manufacturing process.
- Freight costs are taken into consideration during the design concept, including the locations of production build.
- All rack assembly is completed using jig fixtures.
- Turn-key help and support

The customer's requirements are our main focus when designing a steel rack. Ease of loading, unloading, forklift entry, reusable interior dunnage, space utilization and overall size are addressed to ensure satisfaction and quality are never sacrificed.



**Door Panel Rack**

- 84" x 39" x 52" 7 gage (3/16") steel frame
- Collapsible to 17" height for return shipment
- HDPE interior dunnage
- Removable locking bars (heavy truck door panels)



**W.I.P. Rack**

- 48" x 48" x 52" 14 gage steel frame, 4 inside layers
- Shelves raise and lower utilizing gas springs (Automotive Trim Parts)

