

On-line Shelving



USA HEADQUARTERS
Schaefer Systems International, Inc.

Shipping Address
10021 Westlake Drive
Charlotte, NC 28273

Mailing Address
P.O. Box 7009
Charlotte, NC 28241

Tel: 704-944-4500
Fax: 704-588-1862

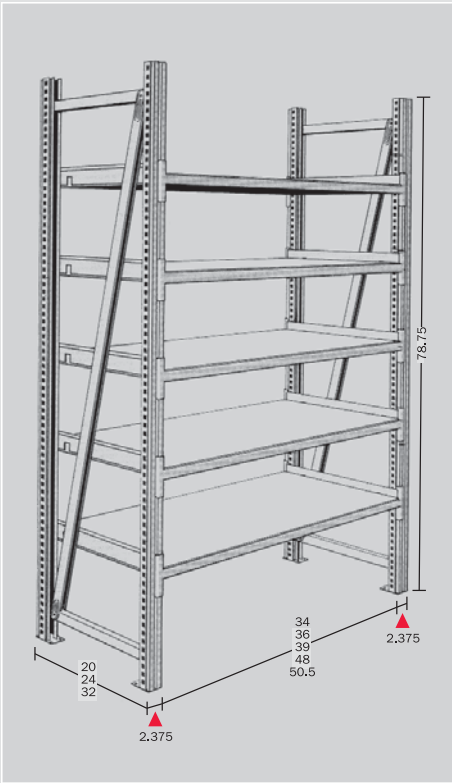
PACKAGING SYSTEMS DIVISION
USA, CANADA, MEXICO

961 Beasley Street
Suite 120
Lexington, KY 40509

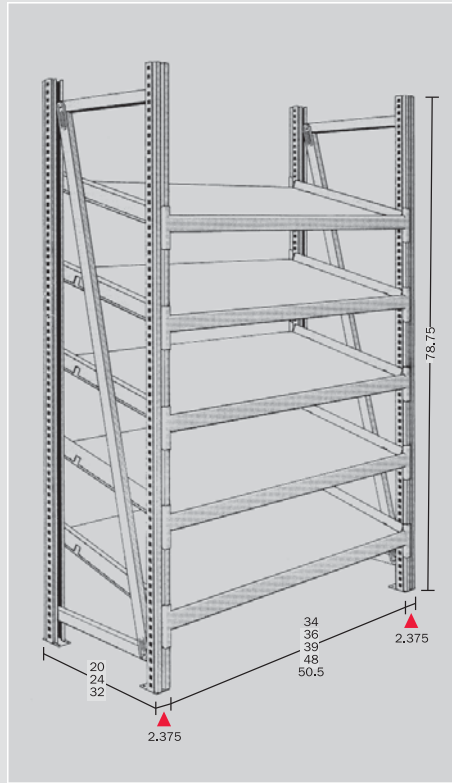
Tel: 859-294-5615
Fax: 859-294-5616
Toll Free: 888-SSI-TOTE
Email: packaginghelp@ssitote.net

Customer Service
Tel: 704-944-4583
Fax: 704-944-4582

Email: general@ssimail.net
www.ssi-schaefer.us



Type G (Straight Shelves)



Type S (Tilted Shelves)

Single-Depth On-Line Shelving

Shelving specifically designed for assembly line production. With the shelves angled at 15°, workers can easily see and pick the parts they need, which new parts are supplied from the back. Bot-tom shelves can be inverted so that empty containers slide out of the way. On-Line offers a cost-efficient stock and storage solution for assembly line operations and is an effective way to utilize the valued space of most assembly line processes.

- Pre-assembled frames
- Starter, Add-on Principle
- Heavy duty, rigid construction
- Each shelf level supports up to 550 lbs
- Shelves are welded double box-style construction
- Available in five widths and three depths
- Can be used with casters in 60" height
- Supplied with foot plates for anchoring units to the floor
- Frames are available in standard gray galvanized finish



Type G (Straight Shelves)



Type S (Tilted Shelves)

On-Line Single Depth with Five Shelf Levels

Item	20" Depth			24" Depth			32" Depth		Height
	Width 39"	Width 50.5"	Width 36"	Width 39"	Width 48"	Width 50.5"	Width 39"	Width 50.5"	
Type G Starter	OLSU.2039G	OLSU.2050G	OLSU.2436G	OLSU.2439G	OLSU.2448G	OLSU.2450G	OLSU.3239G	OLSU.3250G	78.75"
Add-on Unit	OLAU.2039G	OLAU.2050G	OLAU.2436G	OLAU.2439G	OLAU.2448G	OLAU.2450G	OLAU.3239G	OLAU.3250G	78.75"
Extra Shelf	OLSK.2039G	OLSK.2050G	OLSK.2436G	OLSK.2439G	OLSK.2448G	OLSK.2450G	OLSK.3239G	OLSK.3250G	78.75"
Type S Starter	OLSU.2039S	OLSU.2050S	OLSU.2436S	OLSU.2439S	OLSU.2448S	OLSU.2450S	OLSU.3239S	OLSU.3250S	78.75"
Add-on Unit	OLAU.2039S	OLAU.2050S	OLAU.2436S	OLAU.2439S	OLAU.2448S	OLAU.2450S	OLAU.3239S	OLAU.3250S	78.75"
Extra Shelf	OLSK.2039S	OLSK.2050S	OLSK.2436S	OLSK.2439S	OLSK.2448S	OLSK.2450S	OLSK.3239S	OLSK.3250S	78.75"

On-Line Frames

20" Depth	24" Depth	32" Depth	Height
OLFR.2060GV2 OLFR.2079GV2	OLFR.2460GV2 OLFR.2479GV2	OLFR.3260GV2 OLFR.3279GV2	60" 78.75"

On-Line Shelving Assembly

On-line Shelving, like all Schaefer Shelving, is simple, fast and easy to assemble—one unit takes about three minutes to set up. The simplicity of the design, which offers all the features of a highly engineered system, is a Schaefer trademark.

- On-Line Shelving is shipped with preassembled upright frames
- Single-depth units assemble in three minutes
- No tools are required for assembly
- Shelves are supported by beams which quickly connect to uprights
- Shelf levels adjust in 2" increments
- 500 lb Maximum Capacity per shelf level



Assembly After 30 Seconds



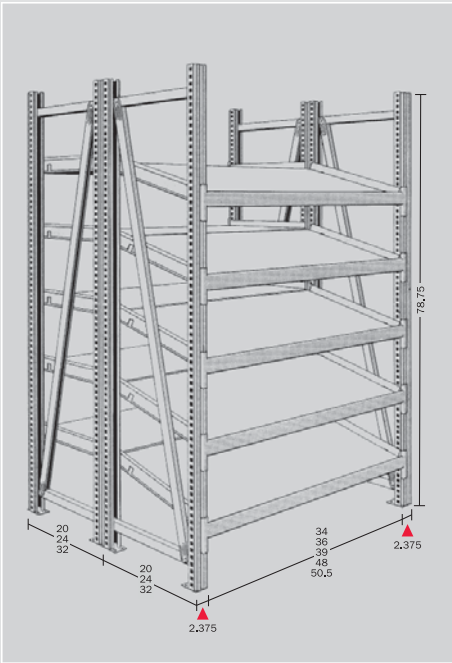
Assembly at 1 Minute



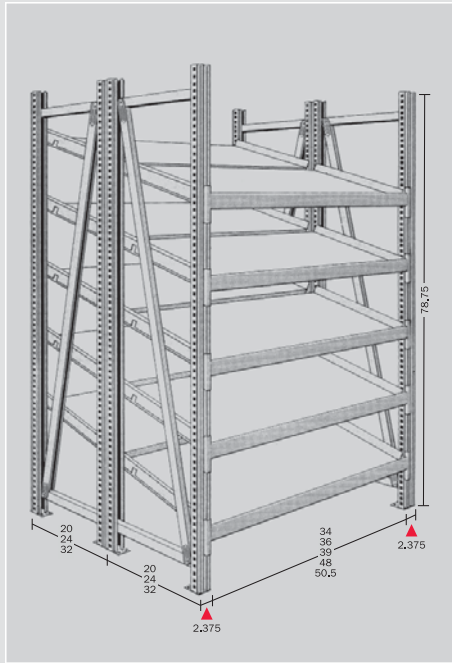
Assembly After 2 Minutes



Complete Assembly in 3 Minutes



Type H



Type S

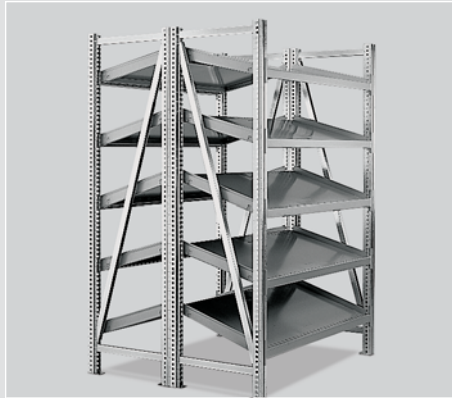
Double-Depth On-Line Shelving

You can choose from either single-depth or double-depth units to fit your operation. On each unit, shelves can be tilted either to-ward the front and/or back. You also can combine straight and tilted shelves at the front and/or back.

- Improves assembly line productivity
- Tilted shelves allow material to flow toward working area
- User Friendly, 15° tilt angle makes parts easy to see and to pick
- Beams are made to withstand the most grueling impact load-ing
- Available in three widths
- Available in four basic configurations
- Flexible enough to meet the needs of any operation
- Shelves adjust in 2" increments



Type G



Type Z



Type S Double-Depth Bay with Double Tilted Shelves



Type H Double-Depth Bay with a Combination of Straight & Tilted Shelves

On-Line Double Depth with Five Shelf Levels

Item	40" Depth			48" Depth			64" Depth	Height
	Width 39"	Width 50.5"	Width 36"	Width 39"	Width 48"	Width 50.5"	Width 39"	
Type H Starter	OLSU.4039H	OLSU.4050H	OLSU.4836H	OLSU.4839H	OLSU.4848H	OLSU.4850H	OLSU.6439H	78.75"
Add-on Unit	OLAU.4039H	OLAU.4050H	OLAU.4836H	OLAU.4839H	OLAU.4848H	OLAU.4850H	OLAU.6439H	78.75"
Extra Shelf	OLSK.4039H	OLSK.4050H	OLSK.4836H	OLSK.4839H	OLSK.4848H	OLSK.4850H	OLSK.6439H	78.75"
Type G Starter	OLSU.4039G	OLSU.4050G	OLSU.4836G	OLSU.4839G	OLSU.4848G	OLSU.4850G	OLSU.6439G	78.75"
Add-on Unit	OLAU.4039G	OLAU.4050G	OLAU.4836G	OLAU.4839G	OLAU.4848G	OLAU.4850G	OLAU.6439G	78.75"
Extra Shelf	OLSK.4039G	OLSK.4050G	OLSK.4836G	OLSK.4839G	OLSK.4848G	OLSK.4850G	OLSK.6439G	78.75"
Type Z Starter	OLSU.4039Z	OLSU.4050Z	OLSU.4836Z	OLSU.4839Z	OLSU.4848Z	OLSU.4850Z	OLSU.6439Z	78.75"
Add-on Unit	OLAU.4039Z	OLAU.4050Z	OLAU.4836Z	OLAU.4839Z	OLAU.4848Z	OLAU.4850Z	OLAU.6439Z	78.75"
Extra Shelf	OLSK.4039Z	OLSK.4050Z	OLSK.4836Z	OLSK.4839Z	OLSK.4848Z	OLSK.4850Z	OLSK.6439Z	78.75"
Type S Starter	OLSU.4039S	OLSU.4050S	OLSU.4836S	OLSU.4839S	OLSU.4848S	OLSU.4850S	OLSU.6439S	78.75"
Add-on Unit	OLAU.4039S	OLAU.4050S	OLAU.4836S	OLAU.4839S	OLAU.4848S	OLAU.4850S	OLAU.6439S	78.75"
Extra Shelf	OLSK.4039S	OLSK.4050S	OLSK.4836S	OLSK.4839S	OLSK.4848S	OLSK.4850S	OLSK.6439S	78.75"

Note: For Overall Width of Starter, Add 4-3/4" to Shelf Width. For Overall Width of Add-on, Add 2-3/8" to Shelf Width

Shelf Bracket

- In double-depth units, used to support shelf levels at rear of forward shelf and front of rear shelf
- Adapter required for the Type SS units
- Securely locks front and rear bays together



On-Line Shelving Accessories

A Work Table can be added to an On-Line shelving unit to provide additional space at an assembly station or in a workshop. For detailed repair work or assembly, a Workbench with drawers is available. When semi-open front containers are added, the On-Line unit with Workbench becomes a complete, compact work station where everything is within easy reach. For hanging tools, a perforated side panel available.

On-Line Work Table

- Attachable Work Table connects to the front beam and upright frames
- 16" deep
- Available in three widths

On-Line Cantilever Leg

- Uses a staggered front leg which can be attached to any workbench
- Shown with Schaefer semi-open front containers



On-Line Work Table

On-Line Single Depth Cantilever Leg with Three Shelf Levels

Item	20" Depth			24" Depth			32" Depth		Height
	Width 39"	Width 50.5"	Width 36"	Width 39"	Width 48"	Width 50.5"	Width 39"	Width 50.5"	
Type G Starter	OLCS.2039G	OLCS.2050G	OLCS.2436G	OLCS.2439G	OLCS.2448G	OLCS.2450G	OLCS.3239G	OLCS.3250G	78.75"
Add-on Unit	OLCA.2039G	OLCA.2050G	OLCA.2436G	OLCA.2439G	OLCA.2448G	OLCA.2450G	OLCA.3239G	OLCA.3250G	78.75"
Extra Shelf	OLSK.2039G	OLSK.2050G	OLSK.2436G	OLSK.2439G	OLSK.2448G	OLSK.2450G	OLSK.3239G	OLSK.3250G	78.75"
Type S Starter	OLCS.2039S	OLCS.2050S	OLCS.2436S	OLCS.2439S	OLCS.2448S	OLCS.2450S	OLCS.3239S	OLCS.3250S	78.75"
Add-on Unit	OLCA.2039S	OLCA.2050S	OLCA.2436S	OLCA.2439S	OLCA.2448S	OLCA.2450S	OLCA.3239S	OLCA.3250S	78.75"
Extra Shelf	OLSK.2039S	OLSK.2050S	OLSK.2436S	OLSK.2439S	OLSK.2448S	OLSK.2450S	OLSK.3239S	OLSK.3250S	78.75"

On-Line Cantilever Frames

20" Depth	24" Depth	32" Depth	Height
OLCF.2060GV2	OLCF.2460GV2	OLCF.3260GV2	60"
OLCF.2079GV2	OLCF.2479GV2	OLCF.3279GV2	78.75"



Cantilevered Leg Shown with Workbench
(Workbench Must Be Ordered Separately)

On-Line Work Table

Width	Order#
34"	OL Worktable 34"
39"	OL Worktable 39"
50.5"	OL Worktable 50.5"

Perforated Side Panel

- Encloses side of units
- Steel Mesh
- Closes off the end of a row of On-Line Shelving units
- Creates pegboard-type surface for hanging items

End Caps

- Recommended for 60" units
- Additional safety feature
- Prevents injury from edges when reaching to top level and above

Casters

- Unit with casters moves parts to the places they're needed
- Used only with single-depth unit, 60" high
- One caster set includes two fixed wheels and two swivel wheels with foot brakes



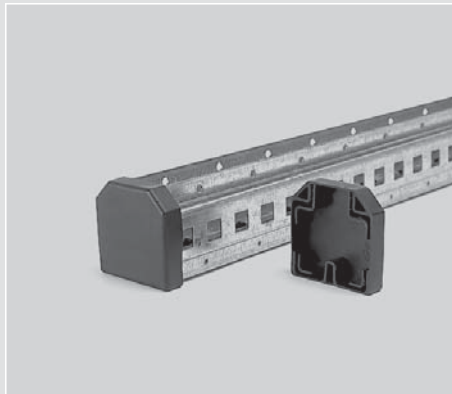
Mobile Unit (Type S)

On-Line Mobile Single Depth with Four Shelf Levels

Item	20" Depth			24" Depth			32" Depth		Height
	Width 39"	Width 50.5"	Width 36"	Width 39"	Width 48"	Width 50.5"	Width 39"	Width 50.5"	
Type G Starter Extra Shelf	OLMU.2039G OLSK.2039G	OLMU.2050G OLSK.2050G	OLMU.2436G OLSK.2436G	OLMU.2439G OLSK.2439G	OLMU.2448G OLSK.2448G	OLMU.2450G OLSK.2450G	OLMU.3239G OLSK.3239G	OLMU.3250G OLSK.3250G	67.5" 67.5"
Type S Starter Extra Shelf	OLMU.2039S OLSK.2039S	OLMU.2050S OLSK.2050S	OLMU.2436S OLSK.2436S	OLMU.2439S OLSK.2439S	OLMU.2448S OLSK.2448S	OLMU.2450S OLSK.2450S	OLMU.3239S OLSK.3239S	OLMU.3250S OLSK.3250S	67.5" 67.5"

On-Line Accessories

Order #	Item
OLCAP	End Cap
OLCS	Casterset



End Caps



Casters are Available for Single-Depth Units, 60" High

On-Line Shooter™

Trying to reduce costs? Optimize work patterns? Nothing makes more sense than Schaefer On-Line Shelving.

Schaefer introduces the On-Line Shooter. The Shooter is designed to enhance operations by providing even further versatility.

In addition to an already wide range of sizes, we can now accommodate widths as narrow as 16" for total optimization of space or single-lane picking operations.

The choice is simple.

Schaefer Systems—providing “Solutions That Fit.”

Contact Schaefer Systems for special applications.



On-Line Static Shooter™ with Four Shelf Levels & Mobile with Three Shelf Levels

Item	50.5" Depth				Height
	Width 14.56"	Width 18.49"	Width 22.43"	Width 30.31"	
Static Starter	OLSS.5014	OLSS.5018	OLSS.5022	OLSS.5030	78.75"
Mobile Starter	OLSM.5014	OLSM.5018	OLSM.5022	OLSM.5030	60.8"
Extra Shelf	OLSK.5014	OLSK.5018	OLSK.5022	OLSK.5030	—



Shooter™ Swivel Caster



Heavy-Duty Casters Available



Shooter™ Side Guide

On-Line Shooter™ Components

Order #	Item	Height
OLFR.5079	Static Frame	78.75
OLFR.5060	Mobile Frame	60
OLCSS	Caster Set	0.8
OLCAP	End Cap	—